

Technical book

ES7 GPF Range

1,3 to 2,0 tons

Counterbalanced stackers w/ tilting mast



- Pedestrian
- Ride on



1300 - 2000 kg

TECHNICAL SPECS

Specifications	1.1	Manufacturer			MANITOU	MANITOU	MANITOU
	1.2	Model			ES713 GPF	ES716 GPF	ES720 GPF
	1.3	Power source			Battery	Battery	Battery
	1.4	Driving position			Pedestrian	Pedestrian	Pedestrian
	1.5	Nominal capacity	Q	kg	1300	1600	2000
	1.6	Load centre of gravity	c	mm	500	500	500
	1.8	Centre to fork face (raised position)	x	mm	225	225	225
Weights	1.9	Wheelbase	y	mm	1200	1300	1470
	2.1	Operating weight		kg	2220	2455	2680
	2.2	Axle load, with load, front / rear		kg	3105 / 415	3575 / 480	4126 / 554
Tyres, frame	2.3	Axle load, without load, front / rear		kg	1020 / 1200	1080 / 1375	1140 / 1540
	3.1	Wheel type (front / rear)			Polyurethane	Polyurethane	Polyurethane
	3.2	Size of drive wheels		mm	270x90	270x90	320x120
	3.3	Tyres size (load side)		mm	230x110	230x110	250x140
	3.5	Number of front wheels (x = drive wheel) / rear wheels			1x / 2	1x / 2	1x / 2
Dimensions	3.7	Rear wheel gauge (middle of wheels)	b11	mm	975	975	1010
	4.1	Tilt of mast forwards/backwards	α/β	deg	3 / 8	3 / 8	3 / 8
	4.4	Lift height	h3	mm	2700	2700	2800
	4.5	Height with mast raised	h4		3350	3350	3260
	4.9	Tiller arm in vertical position	h14	mm	1380	1380	1380
	4.15	Fork height in low position	h13	mm	45 ⁺¹⁰⁻⁰	45 ⁺¹⁰⁻⁰	45 ⁺¹⁰⁻⁰
	4.19	Overall length	l1	mm	2541*	2636*	2835*
	4.20	Length at fork heels	l2	mm	1591*	1686*	1885*
	4.21	Total width (overall)	b1	mm	1085	1085	1100
	4.22	Fork dimensions	s / e / l	mm	40 x 100 x 950	40 x 100 x 950	40 x 125 x 950
	4.24	Width of fork carriage	b3	mm	753	753	753
	4.25	Fork spread	b5	mm	680/200	680/200	680/250
	4.32	Ground clearance at centre of wheel-base	m2	mm	75	75	75
	4.34	Width of aisle for pallet 800x1200 lengthways	Ast	mm	3020	3120	3300
	4.35	Turning radius	Wa	mm	1472	1568	1805
Performances	5.1	Speed of travel laden / unladen		km/h	5,2/4,2	5/4	5,2/4
	5.2	Speed of raise laden / unladen		m/s	0.09/0.13	0.1/0.14	0.06/0.1
	5.3	Speed of lowering laden / unladen		m/s	0.11/0.21	0.17/0.22	0.06/0.09
	5.8	Maximum climbing ability, with / without load		%	5/8	5/8	5/8
	5.11	Parking brake			Electromagnetic	Electromagnetic	Electromagnetic
Motors	6.1	Drive motor, 60 minute rating		kW	1,2	1,2	1,8
	6.2	Lift motor rating at 10% (1)		kW	2/3	3	3/4
	6.3	Battery according to DIN 43531/35/36 A,B,C					
	6.4	Battery voltage/rated capacity (5h)		V/Ah	24/180**	24/180**	24/180**
	6.5	Battery weight (± 5%)		kg	220	290	290
Misc.	8.1	Power control			Sepex Variator	Sepex Variator	Sepex Variator

* Others dimensions are available

** Further alternatives are available

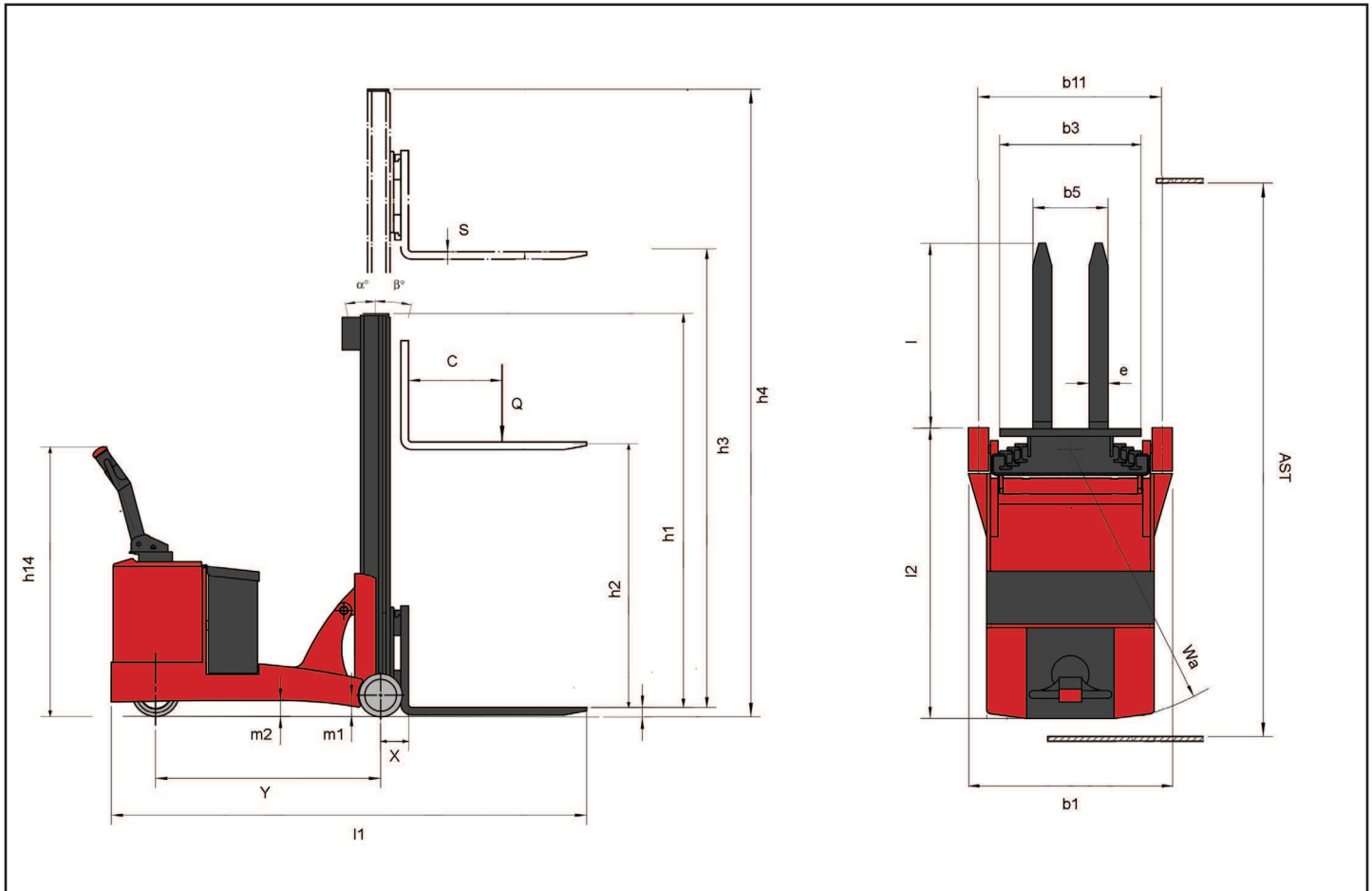
(1) Engine of higher capacity if mast > 3700 mm

Data is based on standard configurations (battery, fork).

Truck performance and dimensions are nominal and subject to tolerances.

Manitou product and specifications are subject to change without notice.

DIMENSIONAL DRAWINGS



Your nearest MANITOU dealer:



Head office:

B.P. 249 - 430 rue de l'Aubinière - 44158 Ancenis cedex - France
Tel : 00 33 (0)2 40 09 10 11 - Fax : 00 33 (0)2 40 83 36 88
www.manitou.com

This brochure describes versions and configuration options for Manitou products which may be fitted with different equipment. The equipment described in this brochure may be standard, optional or not available depending on version. Manitou reserves the right to change the specifications shown and described at any time and without prior warning. The manufacturer is not liable for the specifications given. For more information, contact your Manitou dealer. Non-contractual document. Product descriptions may differ from actual products. List of specifications is not comprehensive. The logos and visual identity of the company are the property of Manitou and may not be used without authorisation. All rights reserved. The photos and diagrams contained in this brochure are provided for information only.

MANITOU BF SA - Limited company with board of directors - Share capital: 39,547,824 euros - 857 802 508 RCS Nantes