

MHT & MHT-X14350


TECHNICAL DATA SHEET



 **MANITOU**

www.manitou.com

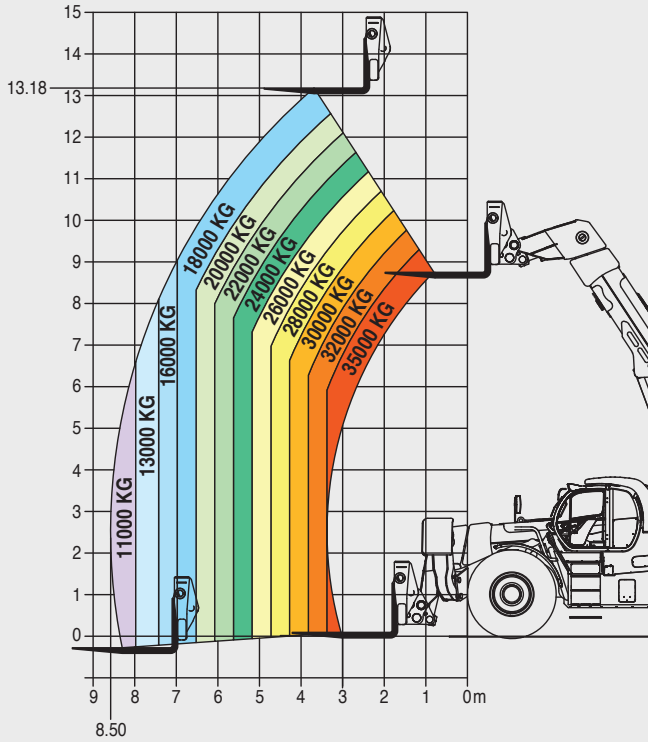
MHT & MHT-X 14350

	MHT 14350	MHT-X 14350
Lifting		
Max. capacity at 1200 LC	35 000 kg	
Max. lifting height	13.60 m	
Max. outreach	8.5 m	
Tyres	24.00/R35	
Frame Levelling	+/- 8°	
Stabilizers	Simultaneously or individually controlled Electro proportional valves for levelling function	
Braking		
Service brake	Oil-bath multiple-disc brakes hydraulically assisted on both axles and exhaust brake system	
Parking brake	Automatic Negative Parking brake	
Engine		
MERCEDES		
Type	OM 936 LA (Stage IV / Tier IV final)	OM 926 LA (Stage IIIa / Tier III)
Displacement	6 cylinders 7.7 liters	
Power	350 HP / 260 kW	
Max. torque	1400 Nm / 1200-1600 rpm	1300 Nm / 1300-1600 rpm
Batteries	24V - 2 x 12 V 180 Ah - 1200 A	
Laden drawbar pull	33 000 daN	
Gradability	40%	
Transmission		
Hydrostatic with powershift 3/3-HSE 2+3 Automatic 4 wheel drive management		
Reversing shift	electromagnetic	
Number of gears (forward/reverse)	Automatic 3/3	
Max. travel speed (may vary according to applicable regulations)	25 kph	
Steering mode	4 wheel steer - 3 Steering Modes	
		
Controls	JSM® Joystick multi - function	
Hydraulics		
Load sensing Pump	400 l/min - 350 bar	
Capacities		
Hydraulic oil	760 l	
Fuel	720 l	
Unladen weight (with forks)	69 000 kg	
Dimensions		
Overall width	3.53 m	
Overall width (stabilizers lowered)	4.44 m	
Overall height	3.82 m	
Overall length to carriage	10.93 m	
Turning radius	7.32 m	
Ground clearance	0.69 m	
Inside tyre width	2.19 m	
Turning radius (over tyres)	7.33 m	
Frame levelling	+/- 8°	
Standard forks (length x width x thickness)	2400 x 300 x 135 mm	
Safety	Load monitoring system - (crane norms) Attachment recognition system (E-Reco) Hydraulic locking attachment system	
Noise and vibration		
Noise at driving position (LpA)	80 dB	
Environmental noise (LwA)	107 dB	
Vibration to whole hand/arm	<2.5 m/s ²	

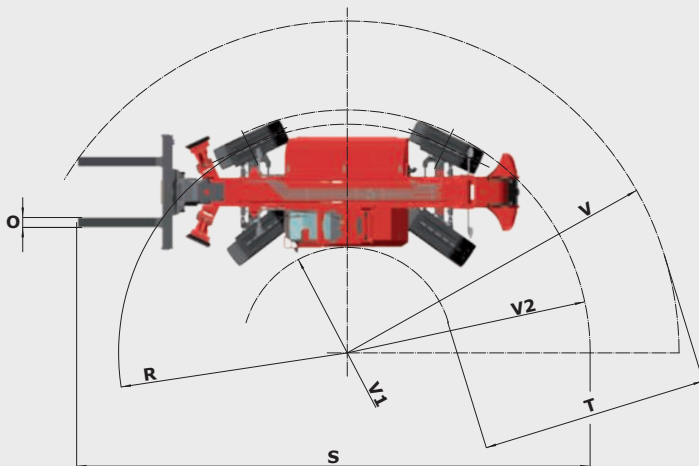
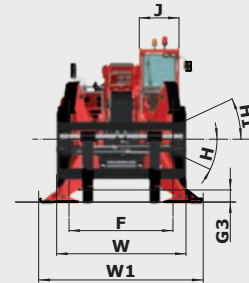
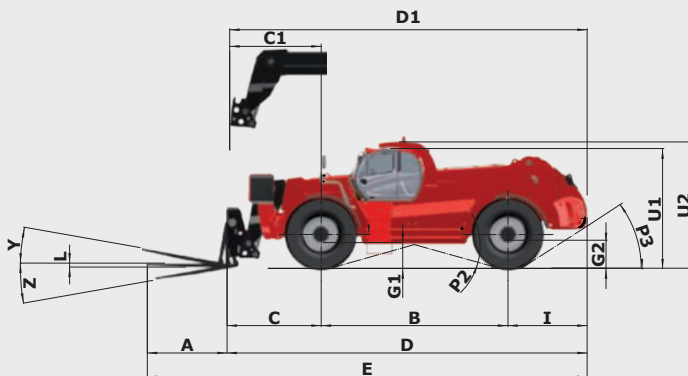
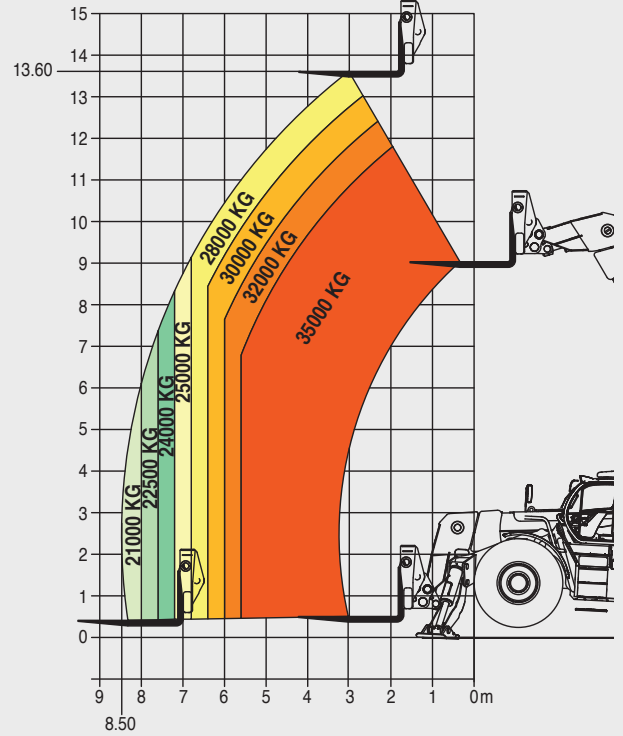
MHT & MHT-X 14350

Rough terrain load chart standard EN1459 annex B

Machine on tyres with forks



Machine on stabilizers with forks



mm	MHT/MHT-X 14350
A	2400
B	5700
C	2825
C1	2615
D	10936
D1	10726
E	13390
F	2852
G1	687
G2	791
G3	332
H	8°
H1	8°
I	2411
J	1094
L	135

mm	MHT/MHT-X 14350
O	300
P2	31°
P3	32°
R	6918
S	15489
T	6910
U1	3651
U2	3826
V	10072
V1	3169
V2	7328
W	3530
W1	4441
Y	15°
Z	107°

This brochure describes versions and configuration options for Manitou products which may be fitted with different equipment. The equipment described in this brochure may be standard, optional or not available depending on version. Manitou reserves the right to change the specifications shown and described at any time and without prior warning. The manufacturer is not liable for the specifications given. For more information, contact your Manitou dealer. Non-contractual document. Product descriptions may differ from actual products. List of specifications is not comprehensive. The logos and visual identity of the company are the property of Manitou and may not be used without authorisation. All rights reserved. The photos and diagrams contained in this brochure are provided for information only.

MANITOU BF SA - Limited company with board of directors - Share capital: 39,547,824 euros - 857 802 508 RCS Nantes



Your nearest **MANITOU** dealer:



Head office:
B.P. 249 - 430 rue de l'Aubinière - 44158 Ancenis Cedex - France
Tel: 00 33 (0)2 40 09 10 11 - Fax: 00 33 (0)2 40 09 10 97
www.manitou.com



facebook.com/manitou.official